



The ultimate experience with
Philips Cinema Xenon lamps



PHILIPS



Philips Cinema Xenon lamps

Philips Cinema Xenon Lamps are high power short arc discharge lamps designed specifically for the film cinema projection market. The arc is formed in an atmosphere of pure xenon gas which creates a broad spectrum white light with outstanding color rendition, ideal for showing films in the brilliant and vivid colors that the director intended.

Philips Cinema Xenon Lamps are available in two product ranges: Standard, fitting all leading film cinema projectors, and Helios®, a high performance alternative for those applications requiring greater lamp efficiency and/or brightness. All Philips Cinema Xenon Lamps offer long life, high stability and instant ignition.

Index

Philips Standard Xenon

page 4-11

Philips Helios® Xenon

page 12-14

Photometric Characteristics

page 15

Philips Standard Xenon lamps

Philips Standard Xenon lamps are point source arc discharge lamps that produce high intensity white light for today's demanding film projection applications. With one of the broadest product lines in the industry, Philips Standard Xenon lamps fit all leading film cinema projectors. Using top quality, ozone-free quartz and high purity electrode materials,

these lamps provide flicker free performance and reliable ignition over the entire lamp life time. Philips Standard Xenon lamps offer long life and trouble-free operation backed by the best customer support in the industry.

Features	Benefits
Pure xenon fill gas	Constant color properties for the life of the lamp
Approximately 6000K color temperature	Pure, white light, matching the spectral distribution of the sun
Hot Restrike	Hot re-ignition is possible ensuring the availability of the light at any time
High arc stability	Provides flicker free operation

Product naming Abbreviations

H	horizontal
HC	horizontal with cable
HS	short lamp
HSC	short lamp with cable
HTP	lamp with threaded pin
HTT	threaded on both ends
SHSC	super short lamp

Product	Power (W)	Voltage (V)	Current (A)	Lumen Output	Min/Max (A)	Ignition Voltage (kV)	Cooling (min. air flow ft./s)	Burning position	Magnet	Part Number
Philips LTIX-700W-HS	700	18	37	20.000	30/45	33	20	+/- 20 deg v/h	-	2110015
Philips LTIX-700W-HSC	700	18	37	20.000	30/45	33	20	+/- 20 deg v/h	-	2110016
Philips LTIX-900W-H	900	19	45	30.000	30/53	33	20	+/- 30 deg v	-	2110006
Philips LTIX-1000W-HS	1000	19	50	32.000	30/55	33	20	+/- 20 deg v/h	-	2110017
Philips LTIX-1000W-HSC	1000	19	50	32.000	30/55	33	20	+/- 20 deg v/h	-	2110018
Philips LTIX-1000W-HTP	1000	21	45	35.000	30/55	33	20	+/- 30 deg v/h	required	2110019
Philips LTIX-1600W-H	1600	24	65	60.000	45/75	33	20	+/- 30 deg v/h	-	2110005
Philips LTIX-1600W-HC	1600	24	65	60.000	45/75	33	30	+/- 30 deg v/h	-	2110008
Philips LTIX-1600W-HS	1550	23	65	60.000	50/70	33	20	+/- 20 deg v/h	-	2110009
Philips LTIX-1600W-HSC	1550	23	65	60.000	50/70	33	20	+/- 20 deg v/h	-	2110020
Philips LTIX-2000W-H	2000	27	70	80.000	50/85	36	20	+/- 30 deg v/h	horizontal required	2110001
Philips LTIX-2000W-HC	2000	27	70	80.000	50/85	36	20	+/- 30 deg v/h	horizontal required	2110039
Philips LTIX-2000W-HS	2000	24	80	80.000	50/85	36	20	+/- 30 deg v/h	-	2110021
Philips LTIX-2000W-HTP	2000	27	70	80.000	50/85	36	20	+/- 30 deg v/h	horizontal required	2110023
Philips LTIX-2000W-HTT	2000	24	80	80.000	50/85	36	20	+/- 20 deg v/h	-	2110024
Philips LTIX-2000W-SHSC	2000	27	70	80.000	50/85	36	20	+/- 20 deg v/h	-	2110022
Philips LTIX-2500W-H	2500	29	83	100.000	60/95	36	20	+/- 30 deg v	-	2110007
Philips LTIX-2500W-HS	2500	28	90	100.000	70/100	36	20	+/- 30 deg v/h	-	2110025
Philips LTIX-3000W-H	3000	29	100	130.000	60/100	36	20	+/- 30 deg v/h	required	2110004
Philips LTIX-3000W-HC	3000	29	100	130.000	60/100	36	20	+/- 30 deg v/h	required	2110038
Philips LTIX-3000W-HS	3000	29	100	130.000	60/110	36	20	+/- 30 deg v/h	required	2110027
Philips LTIX-3000W-HTP	3000	29	100	130.000	60/110	36	20	+/- 30 deg v/h	horizontal required	2110028
Philips LTIX-4000W-HTP	4000	30	130	155.000	100/140	36	20	+/- 20 deg v/h	-	2110030

Dimensions and drawings on page 6 - 11



Philips LTIX-2000W-HS



Philips LTIX-3000W-HTP



Philips LTIX-4500W-HS

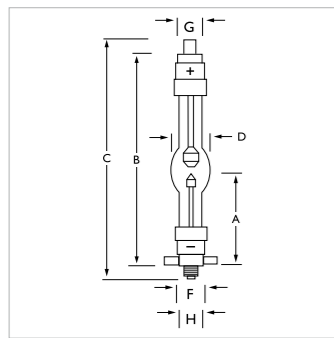
Product	Power (W)	Voltage (V)	Current (A)	Lumen Output	Min/Max (A)	Ignition Voltage (kV)	Cooling (min. air flow ft./s)	Burning position	Magnet	Part Number
Philips LTIX-4200W-H	4200	29	140	190.000	80/160	36	20	+/- 20 deg v/h	-	2110002
Philips LTIX-4200W-HC	4200	29	140	190.000	80/160	36	20	+/- 20 deg v	-	2110041
Philips LTIX-4500W-HS	4000	29	135	155.000	80/150	36	20	+/- 30 deg v/h	horizontal required	2110029
Philips LTIX-4500W-HTP	4500	30	150	155.000	80/150	36	20	+/- 15 deg v/h	horizontal required	2110031
Philips LTIX-5000W-H	5000	33	140	225.000	100/150	36	20	+/- 15 deg v/h	required	2110032
Philips LTIX-5000W-HS	5000	33	140	225.000	100/150	36	20	+/- 15 deg v/h	horizontal required	2110033
Philips LTIX-5001W-H	5000	33	140	225.000	100/150	36	20	+/- 15 deg v/h	horizontal required	2110069
Philips LTIX-6000W-HS	6000	37	160	320.000	110/165	44	20	+/- 15 deg v/h	horizontal required	2110044
Philips LTIX-6000W-HTP	6000	37	160	320.000	110/165	44	20	+/- 15 deg v/h	horizontal required	2110065
Philips LTIX-6002W-HS	6000	37	160	350.000	110/165	44	20	+/- 15 deg v/h	required	2110062
Philips LTIX-6500W-H	6500	40	160	325.000	80/160	44	20	+/- 15 deg v/h	required	2110011
Philips LTIX-7000W-H	7000	41	160	350.000	110/165	44	20	+/- 15 deg v/h	-	2110012
Philips LTIX-7000W-HS	7000	41	160	350.000	110/165	44	20	+/- 15 deg v/h	horizontal required	2110003
Philips LTIX-10000W-HS	10000	50	200	510.000	190/210	45	33	+/- 15 deg v/h	horizontal required	2110013

Dimensions and drawings on page 6 - 11

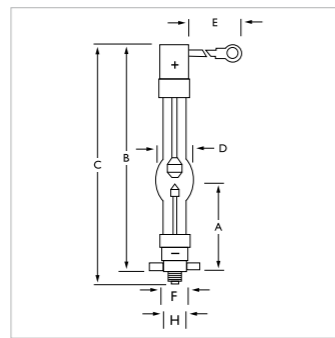
Philips Standard Xenon lamps

Product	Length				Diameter				Arc gap (mm)
	A	B	C	D	E	F	G	H	
	distance (mm)	length max (mm)	length max (mm)	diameter d mm	lead length	Anode/Cathode base diameter (mm)	Anode pin diameter (mm)	Cathode pin diameter (mm) or thread type	
Philips LTIX-700W-HS	95	205	235	40	-	27	11	8	3.2
Philips LTIX-700W-HSC	95	222	235	40	254	27	-	5/16-18UNC-2A	3.2
Philips LTIX-900W-H	123	277	325	40	-	25	10	12	4.0
Philips LTIX-1000W-HS	95	205	235	40	-	27	11	5/16-18UNC-2A	3.5
Philips LTIX-1000W-HSC	95	222	235	40	254	27	-	5/16-18UNC-2A	3.5
Philips LTIX-1000W-HTP	121.5	275	328	46	-	25	14	M14 x 1.5	5.0
Philips LTIX-1600W-HS	95	205	235	46	-	27	11	5/16-18UNC-2A	4.0

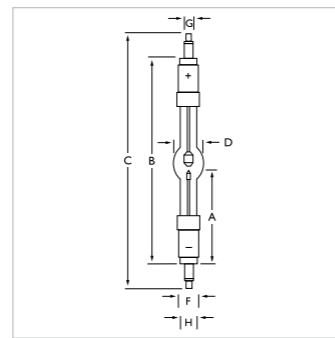
Product specifications on page 4 - 5



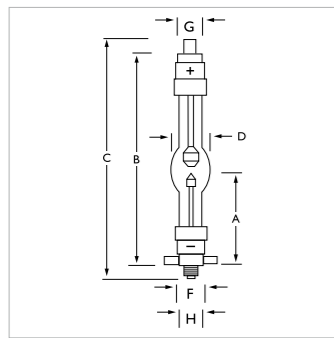
Philips LTIX-700W-HS



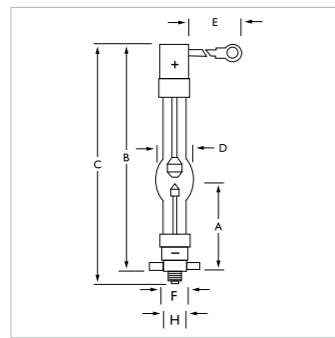
Philips LTIX-700W-HSC



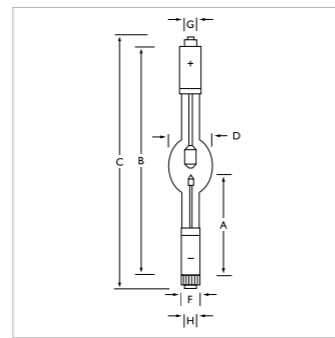
Philips LTIX-900W-H



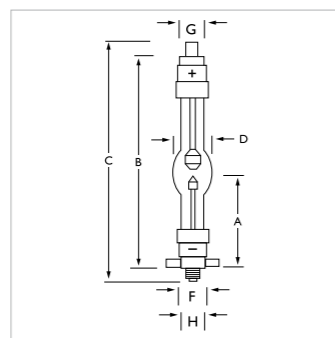
Philips LTIX-1000W-HS



Philips LTIX-1000W-HSC



Philips LTIX-1000W-HTP

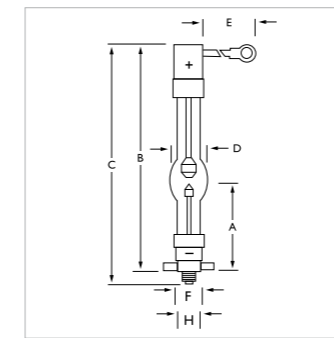


Philips LTIX-1600W-HS

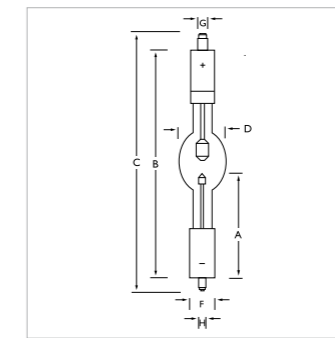
Philips Standard Xenon lamps

Product	Length				Diameter				Arc gap (mm)
	A	B	C	D	E	F	G	H	
	distance (mm)	length max (mm)	length max (mm)	diameter d mm	lead length	Anode/Cathode base diameter (mm)	Anode pin diameter (mm)	Cathode pin diameter (mm) or thread type	
Philips LTIX-1600W-HSC	95	222	235	46	254	27	-	5/16-18UNC-2A	4.0
Philips LTIX-1600W-H	142.5	322	370	52	-	27	10	12	4.8
Philips LTIX-1600W-HC	142.5	322	370	52	280	27	10	12	4.8
Philips LTIX-2000W-H	142.5	322	370	52	280	27	10	12	5.8
Philips LTIX-2000W-HC	142.5	322	270	52	280	27	10	12	5.8
Philips LTIX-2000W-HS	145	302	342	60	280	27	9.5	7.9	5.0

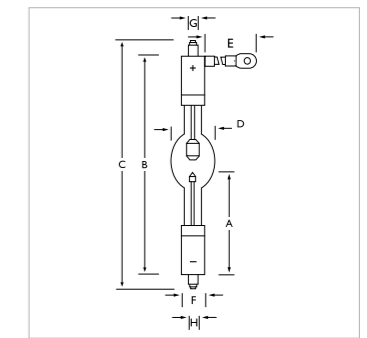
Product specifications on page 4 - 5



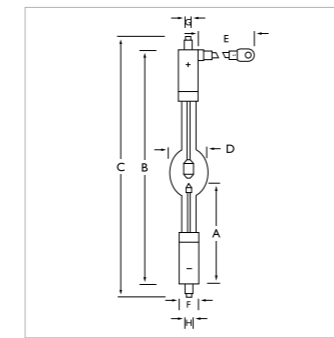
Philips LTIX-1600W-HSC



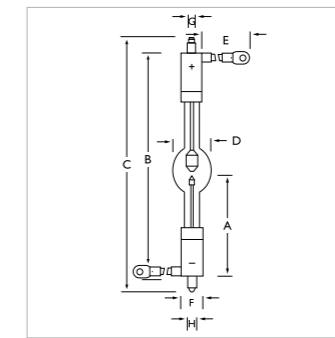
Philips LTIX-1600W-H



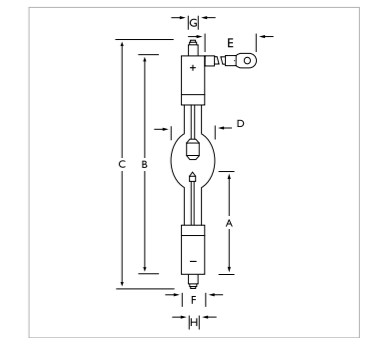
Philips LTIX-1600W-HC



Philips LTIX-2000W-H



Philips LTIX-2000W-HC

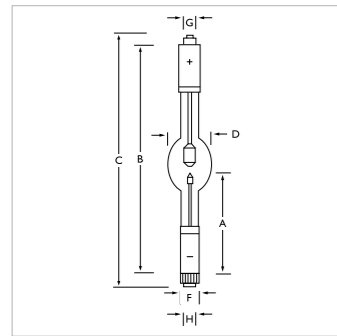


Philips LTIX-2000W-HS

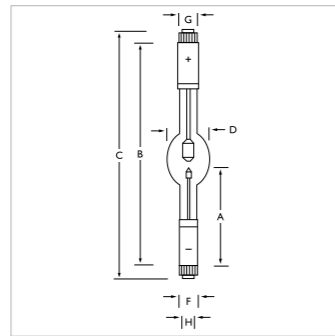
Philips Standard Xenon lamps

Product	Length				E lead length	Diameter			Arc gap (mm)
	A	B	C	D		F	G	H	
	distance (mm)	length max (mm)	length max (mm)	diameter d mm		Anode/Cathode base diameter (mm)	Anode pin diameter (mm)	Cathode pin diameter (mm) or thread type	
Philips LTIX-2000W-HTP	142	322	375	52	-	25	14	M14 x 1.5	6.0
Philips LTIX-2000W-HTT	142.5	322	370	52	-	25	10	10	6.0
Philips LTIX-2000W-SHSC	95	222	235	46	254	27	-	5/16-18UNC-2A	5.0
Philips LTIX-2500W-H	167.5	382	428	60	280	27	13	14	6.9
Philips LTIX-2500W-HS	145	302	342	60	280	27	9.5	7.9	5.5
Philips LTIX-3000W-H	167.5	382	428	66	280	27	13	14	7.0

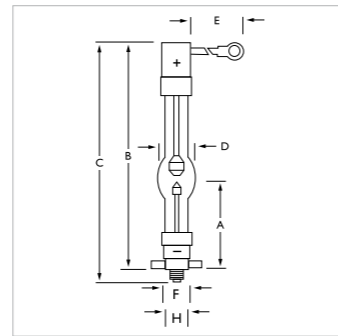
Product specifications on page 4 - 5



Philips LTIX-2000W-HTP



Philips LTIX-2000W-HTT

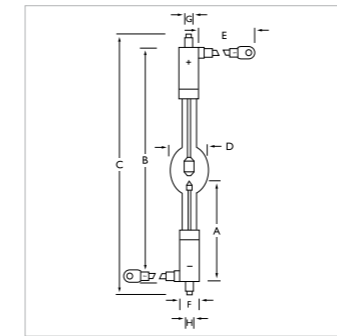


Philips LTIX-2000W-SHSC

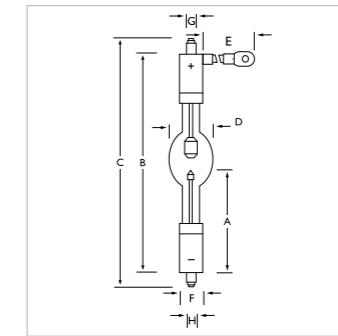
Philips Standard Xenon lamps

Product	Length				E lead length	Diameter			Arc gap (mm)
	A	B	C	D		F	G	H	
	distance (mm)	length max (mm)	length max (mm)	diameter d mm		Anode/Cathode base diameter (mm)	Anode pin diameter (mm)	Cathode pin diameter (mm) or thread type	
Philips LTIX-3000W-HC	167.5	382	428	66	280	27	13	14	7.0
Philips LTIX-3000W-HS	145	302	342	60	280	27	9.5	7.9	6.0
Philips LTIX-3000W-HTP	162.5	357	405	66	-	27	14	M14 x 1.5	6.0
Philips LTIX-4000W-HTP	167.5	382	433	70	-	27	14	M14 x 1.5	7.0
Philips LTIX-4200W-H	167.5	382	428	70	305	27	13	14	7.1
Philips LTIX-4200W-HC	167.5	382	428	70	305	27	13	14	7.1

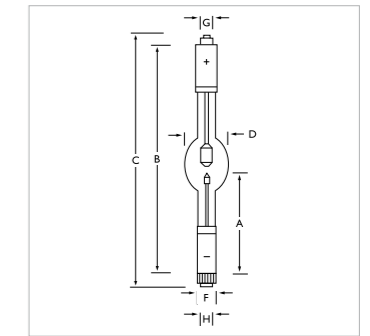
Product specifications on page 4 - 5



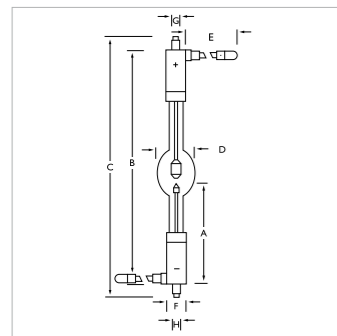
Philips LTIX-3000W-HC



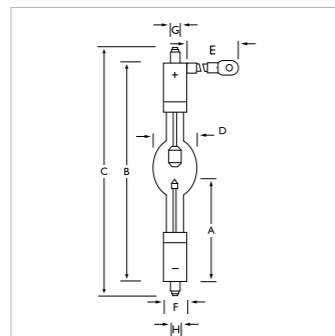
Philips LTIX-3000W-HS



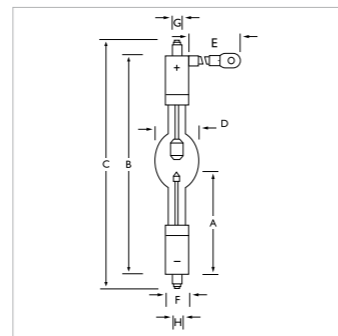
Philips LTIX-3000W-HTP



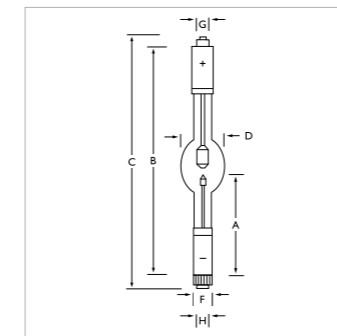
Philips LTIX-2500W-H



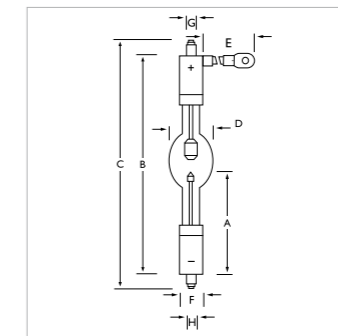
Philips LTIX-2500W-HS



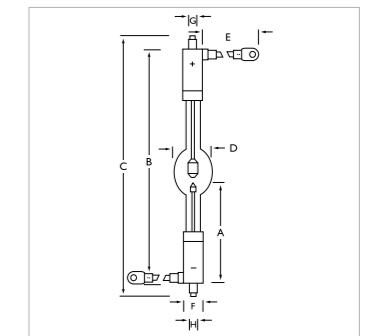
Philips LTIX-3000W-H



Philips LTIX-4000W-HTP



Philips LTIX-4200W-H

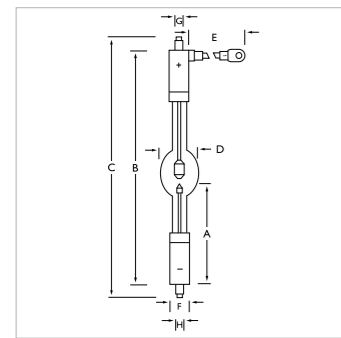


Philips LTIX-4200W-HC

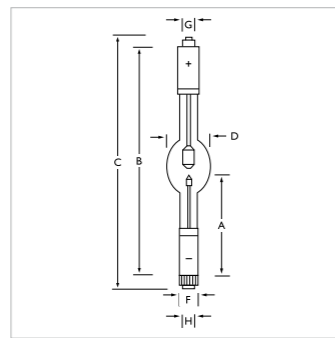
Philips Standard Xenon lamps

Product	Length				Diameter				Arc gap (mm)
	A	B	C	D	E	F	G	H	
	distance (mm)	length max (mm)	length max (mm)	diameter d mm	lead length	Anode/Cathode base diameter (mm)	Anode pin diameter (mm)	Cathode pin diameter (mm) or thread type	
Philips LTIX-4500W-HS	171	370	410	70	305	30	9.5	7.9	7.0
Philips LTIX-4500W-HTP	166.5	380	433	70	-	27	14	M14 x 1.5	7.8
Philips LTIX-5000W-H	167.5	382	428	70	305	27	16	18	8.0
Philips LTIX-5000W-HS	171	370	410	70	305	30	9.5	7.9	7.5
Philips LTIX-5001W-H	168	382	428	70	305	27	13	14	8.0
Philips LTIX-6000W-HS	170.5	370	410	78	305	30	9.5	7.9	9.0

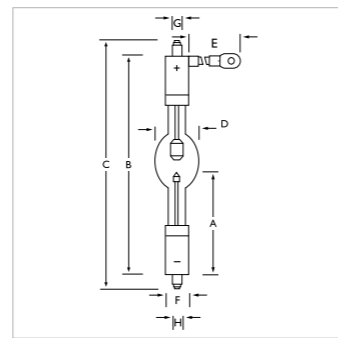
Product specifications on page 4 - 5



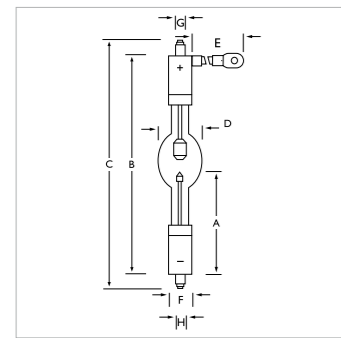
Philips LTIX-4500W-HS



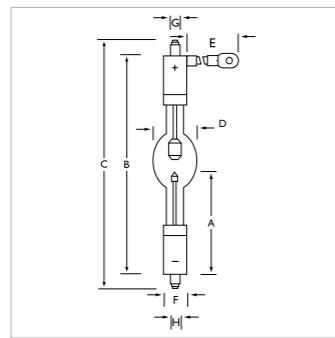
Philips LTIX-4500W-HTP



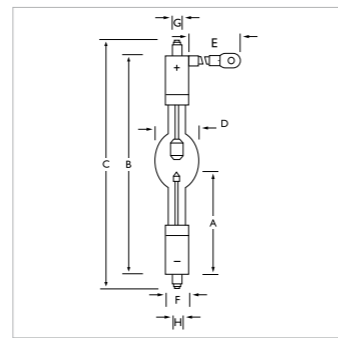
Philips LTIX-5000W-H



Philips LTIX-5000W-HS



Philips LTIX-5001W-H

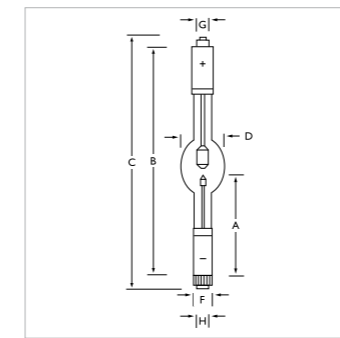


Philips LTIX-6000W-HS

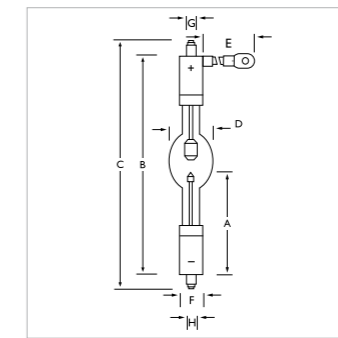
Philips Standard Xenon lamps

Product	Length				Diameter				Arc gap (mm)
	A	B	C	D	E	F	G	H	
	distance (mm)	length max (mm)	length max (mm)	diameter d mm	lead length	Anode/Cathode base diameter (mm)	Anode pin diameter (mm)	Cathode pin diameter (mm) or thread type	
Philips LTIX-6000W-HTP	166.5	380	420	78	-	27	14	M14 x 1.5	9.0
Philips LTIX-6002W-HS	170.5	393	433	78	370	30	9.5	7.9	9.0
Philips LTIX-6500W-H	200	434	483	78	305	30	20	22	11.0
Philips LTIX-7000W-H	170	382	433	78	305	30	13	14	11.0
Philips LTIX-7000W-HS	170.5	393	433	78	305	30	9.5	7.9	11.0
Philips LTIX-10000W-HS	170	390	435	90	457	30	9.5	14	13.7

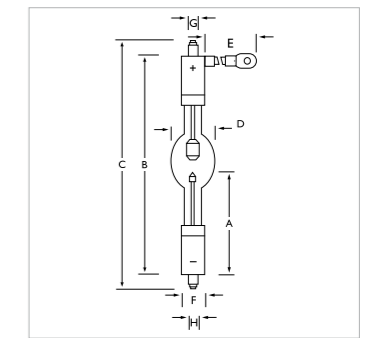
Product specifications on page 4 - 5



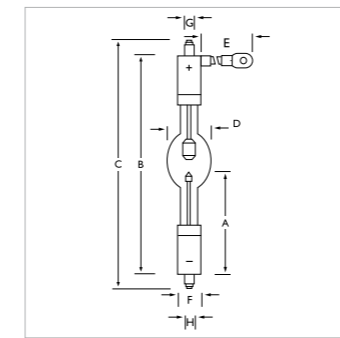
Philips LTIX-6000W-HTP



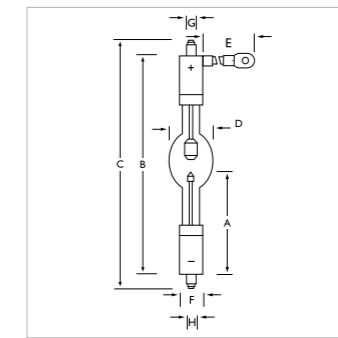
Philips LTIX-6002W-HS



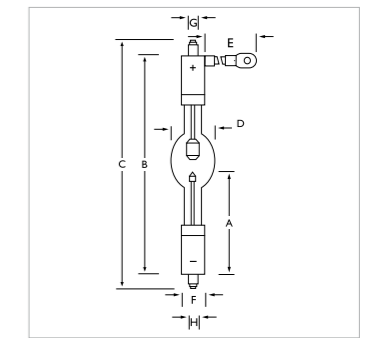
Philips LTIX-6500W-H



Philips LTIX-7000W-H



Philips LTIX-7000W-HS



Philips LTIX-10000W-HS

Philips Helios® Xenon lamps

Philips Helios® Xenon lamps produce up to 30% more light than standard designs of the same wattage. They are completely interchangeable with standard lamp models, with no modification to equipment or special alignment required.

These new lamps produce dramatic results: brighter pictures, vivid colors and high definition picture quality for unparalleled performance. Other features, including lower power consumption, less required air conditioning and lower lamp cost per screen foot-lambert, result in lower total operating cost of ownership.

Features	Benefits
Up to 30% more screen lumens	- High definition picture quality - Improved clarity and focus - Brighter picture
Drop-in replacement; no special alignment technique required	- No lamp house modifications - No lens change to achieve increased lumens
Less power consumption; less air conditioning	Lower lamp cost per screen foot-lambert

Product naming Abbreviations

HE	Helios®
HEH	Helios® standard lamp
HEHS	short Helios®
HETP	Helios® lamp with threaded pin

Product	Power (W)	Voltage (V)	Current (A)	Lumen Output	Min/Max (A)	Ignition Voltage (kV)	Cooling (min. air flow ft./s)	Burning position	Magnet	Part Number
Philips LTIX-2000W-HEH	2000	27	70	80.000	50/85	36	20	+/- 20 deg v/h	-	2110097
Philips LTIX-2000W-HEHS	2000	24	80	80.000	50/85	36	20	+/- 30 deg v/h	-	2110115
Philips LTIX-2000W-HETP	2000	27	70	80.000	50/85	36	20	+/- 30 deg v/h	-	2110112
Philips LTIX-3000W-HEH	3000	29	100	130.000	60/110	36	20	+/- 30 deg v/h	-	2110098
Philips LTIX-3000W-HEHS	3000	29	100	130.000	60/110	36	20	+/- 30 deg v/h	-	2110114
Philips LTIX-3000W-HETP	3000	29	100	130.000	60/110	36	20	+/- 30 deg v/h	-	2110113
Philips LTIX-3005W-HEHS	3000	29	100	130.000	60/100	36	20	+/- 30 deg v/h	-	2110119
Philips LTIX-3005W-HETP	3000	29	100	130.000	60/110	36	20	+/- 30 deg v/h	-	2110122
Philips LTIX-4200W-HEH	4200	29	140	190.000	80/160	36	20	+/- 20 deg v/h	required	2110088
Philips LTIX-4200W-HETP	4200	29	140	190.000	80/160	36	20	+/- 20 deg v/h	required	2110090
Philips LTIX-4201W-HEH	4200	29	140	190.000	80/160	36	20	+/- 20 deg v/h	required	2110092
Philips LTIX-4202W-HEHS	4200	29	140	190.000	80/160	36	20	+/- 20 deg v/h	required	2110102
Philips LTIX-7000W-HEH	7000	41	160	350.000	110/165	44	20	+/- 15 deg v/h	-	2110111
Philips LTIX-7000W-HEHS	7000	41	160	350.000	110/165	44	20	+/- 15 deg v/h	horizontal required	2110117

Dimensions and drawings on page 12 - 14

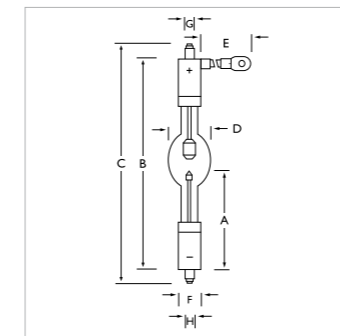
Product	Length				Diameter				Arc gap (mm)
	A distance (mm)	B length max (mm)	C length max (mm)	D diameter d mm	E lead length	F Anode/Cathode base diameter (mm)	G Anode pin diameter (mm)	H Cathode pin diameter (mm) or thread type	
Philips LTIX-2000W-HEH	142.5	322	366	46	305	27	9.5	7.9	5.5
Philips LTIX-2000W-HEHS	145	302	337	46	280	27	9.5	7.9	5.0
Philips LTIX-2000W-HETP	142	322	375	46	-	24	14	M14 x 1.5	5.5
Philips LTIX-3000W-HEH	167.5	382	428	52	280	27	13	14	6.0
Philips LTIX-3000W-HEHS	145	302	342	52	280	27	9.5	7.9	6.0
Philips LTIX-3000W-HETP	162.5	357	405	52	-	27	9.5	7.9	6.0
Philips LTIX-3005W-HEHS	171	370	409	52	305	30	9.5	7.9	6.0
Philips LTIX-3005W-HETP	166.5	380	423	52	-	28	14	M14 x 1.5	6.0



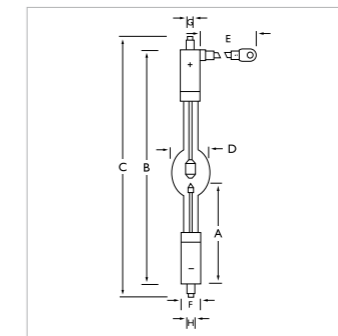
Philips LTIX-2000W-HETP



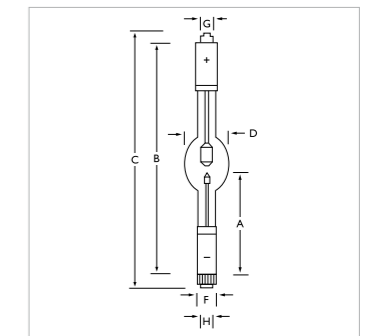
Philips LTIX-4202W-HEHS



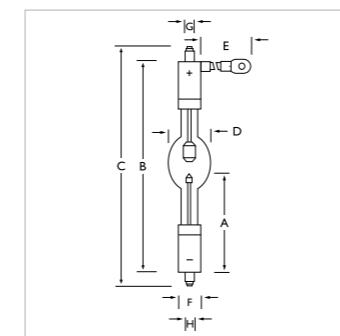
Philips LTIX-2000W-HEH



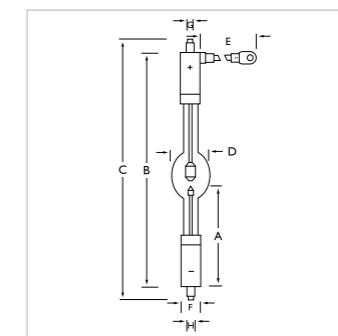
Philips LTIX-2000W-HEHS



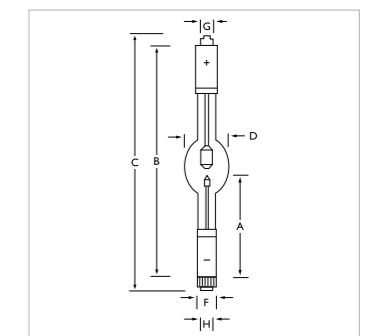
Philips LTIX-2000W-HETP



Philips LTIX-3000W-HEH



Philips LTIX-3000W-HEHS

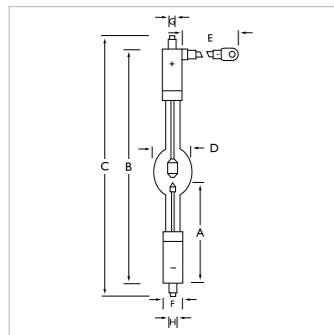


Philips LTIX-3000W-HETP

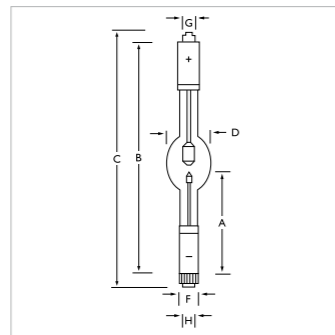
Philips Helios® Xenon lamps

Product	Length				Diameter				Arc gap (mm)
	A distance (mm)	B length max (mm)	C length max (mm)	D diameter d mm	E lead length	F Anode/Cathode base diameter (mm)	G Anode pin diameter (mm)	H Cathode pin diameter (mm) or thread type	
Philips LTIX-4200W-HEH	167.5	382	428	62	305	27	13	14	7.0
Philips LTIX-4200W-HETP	167.5	382	428	62	-	27	14	M14 x 1.5	7.0
Philips LTIX-4201W-HEH	167.5	382	428	62	305	27	16	18	7.0
Philips LTIX-4202W-HEHS	171	370	410	62	305	30	9.5	7.9	7.0
Philips LTIX-7000W-HEH	170	382	433	78	305	30	13	14	11.0
Philips LTIX-7000W-HEHS	170.5	393	433	70	305	30	9.5	7.9	11.0

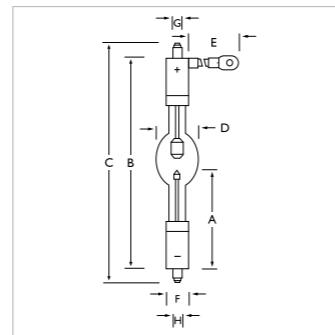
Product specifications on page 12



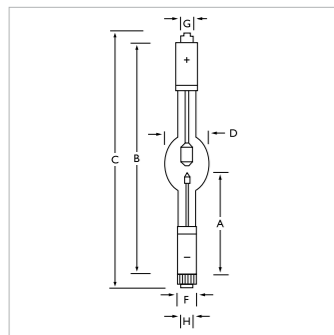
Philips LTIX-3005W-HEHS



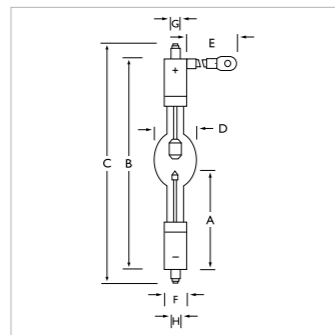
Philips LTIX-3005W-HETP



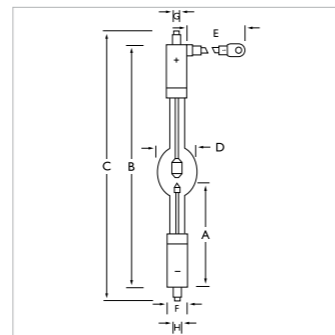
Philips LTIX-4200W-HEH



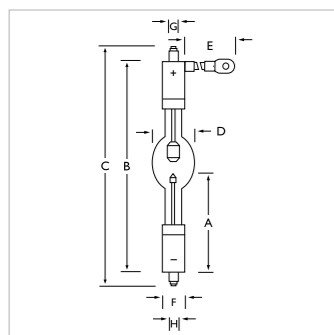
Philips LTIX-4200W-HETP



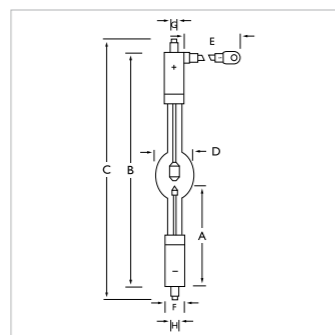
Philips LTIX-4201W-HEH



Philips LTIX-4202W-HEHS

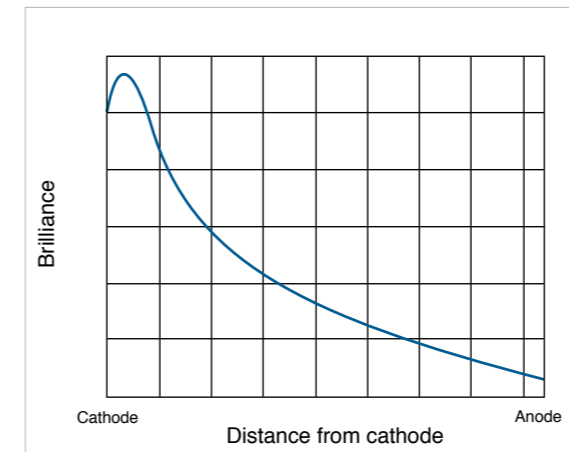


Philips LTIX-7000W-HEH

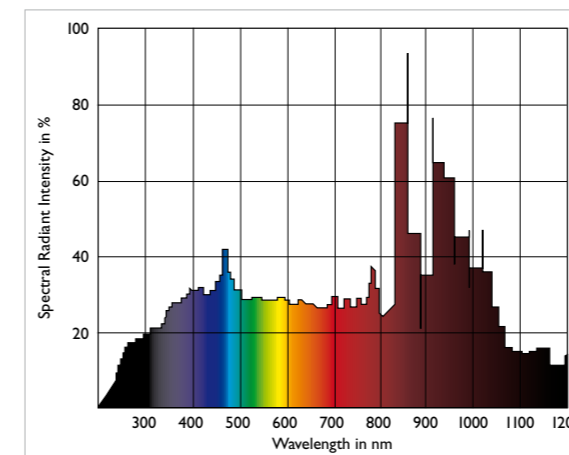


Philips LTIX-7000W-HEHS

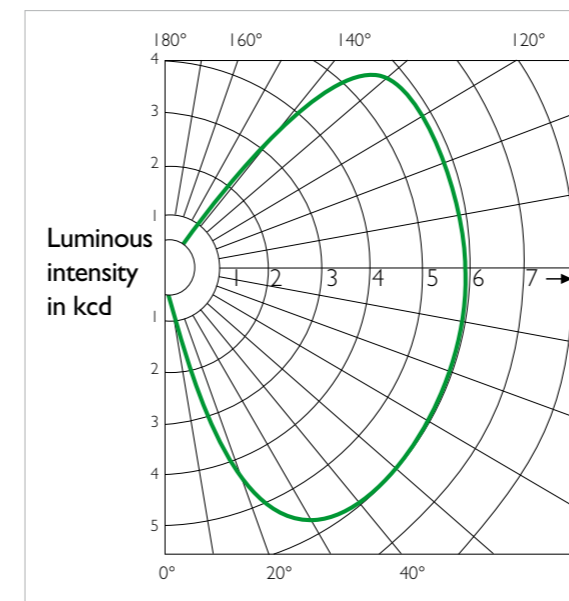
Photometric Characteristics



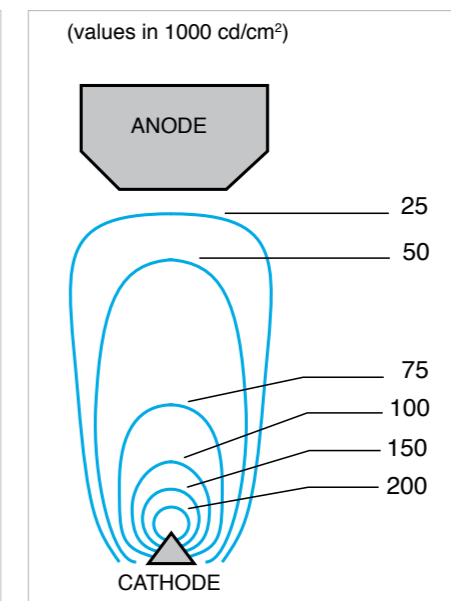
Brilliance



Spectral distribution



Luminous intensity





©2008 Koninklijke Philips Electronics N.V.

All rights reserved. Reproduction in whole or in part is prohibited without the prior written consent of the copyright owner. The information presented in this document does not form part of any quotation or contract, is believed to be accurate and reliable and may be changed without notice. No liability will be accepted by the publisher for any consequence of its use. Publication thereof does not convey nor imply any license under patent- or other industrial or intellectual property rights.

Document order number: 3222 635 52411

www.philips.com/broadway